

# QUICK GUIDE



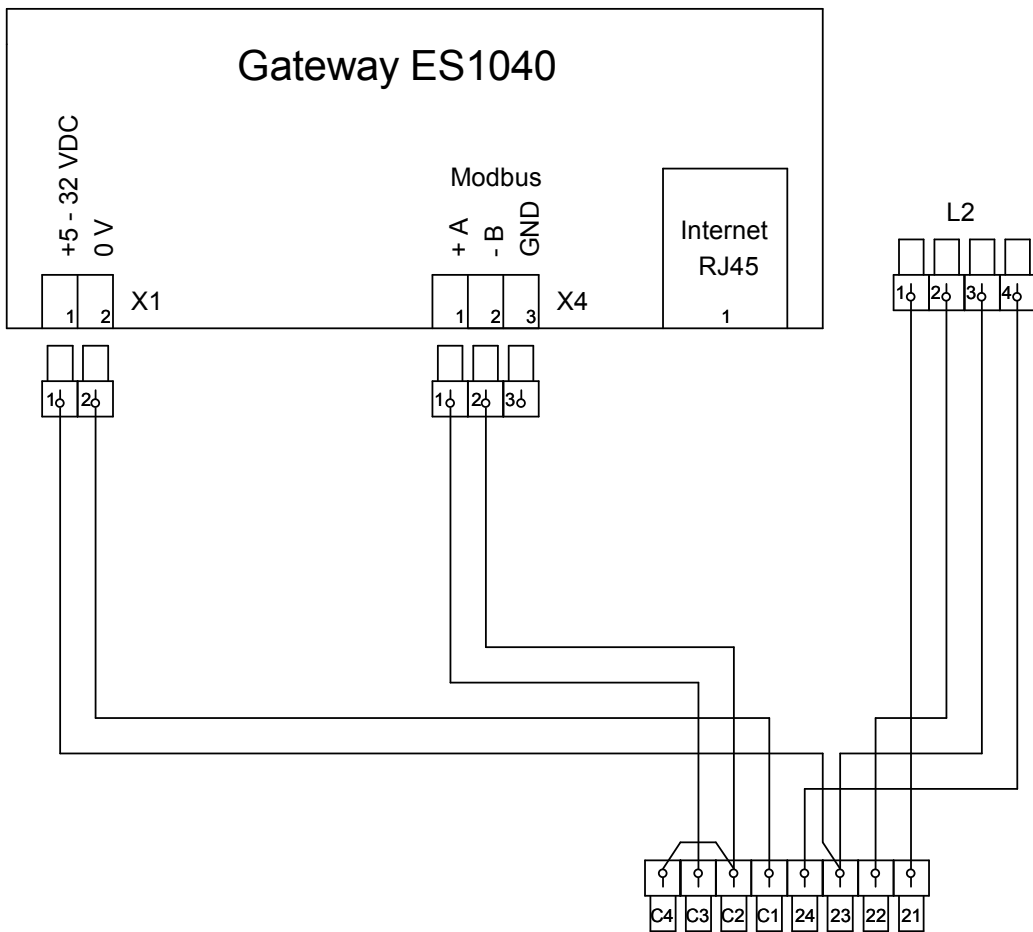
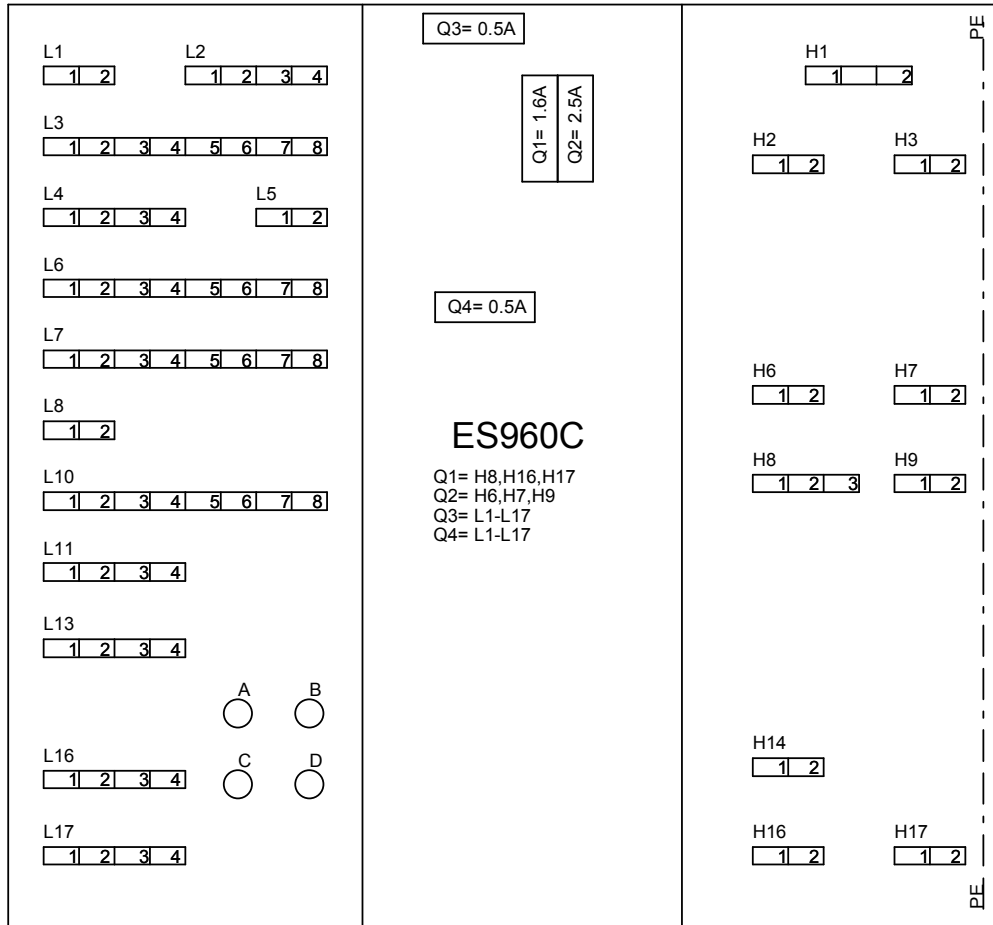
## GENVEX CONNECT

Remote control/monitoring of  
Genvex unit via app

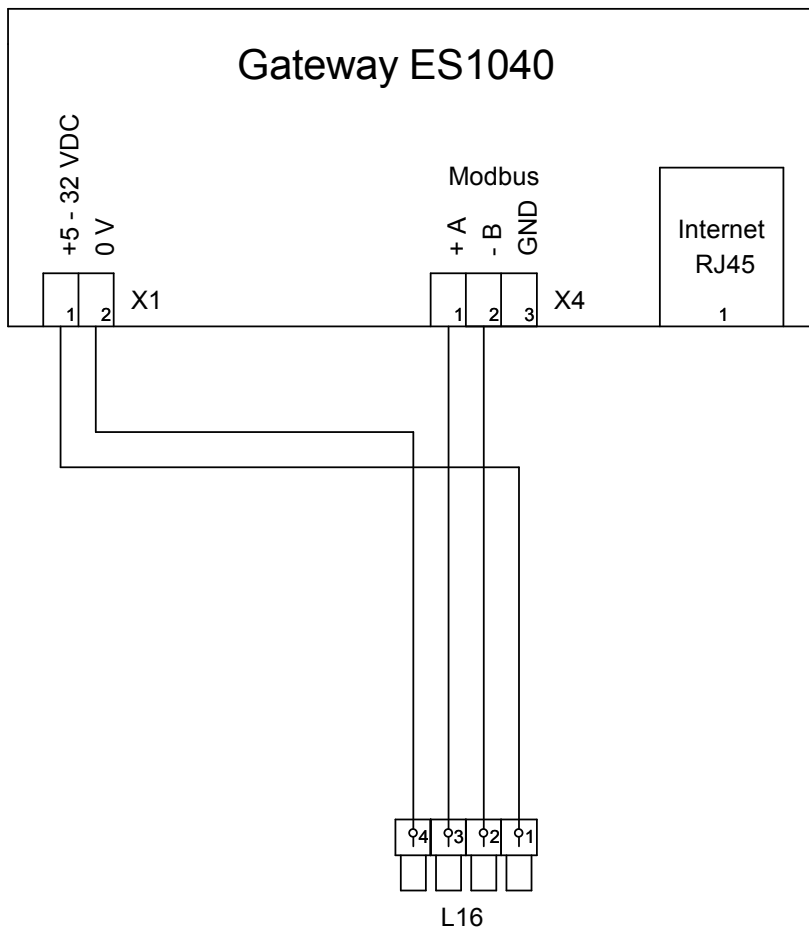
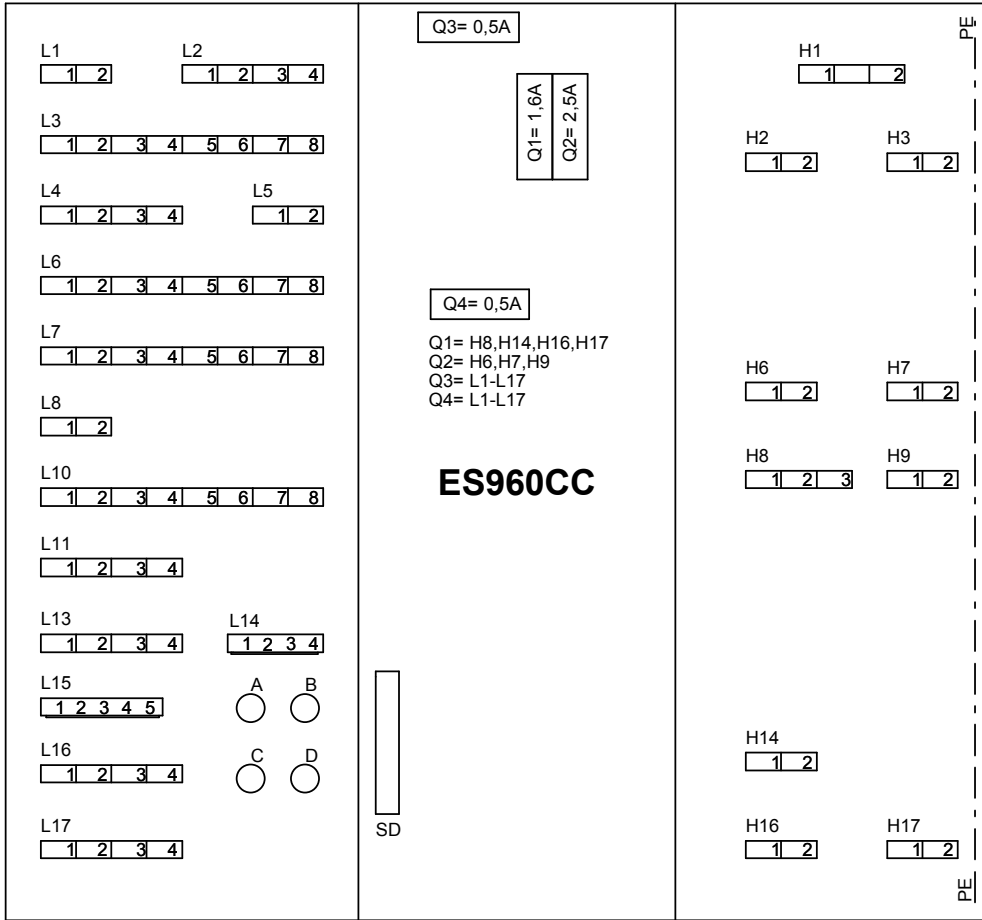
# INSTRUCTIONS

1. Follow the electrical diagrams for OPT251 or OPT260 to connect the Internet Gateway to the Genvex Optima controls. (OPT251: Gateway is connected directly to the display. OPT260: Gateway is connected directly to the Modbus output on the PCB).
2. Connect the Internet Gateway to the internet/router via the RJ45 connector in the Gateway. (Genvex recommends a wired connection).
3. Service menu is set via the control panel (OPT251) or GenLog (OPT260).
  - Service menu point 30: Modbus mode is set to 2 (19200 baud rate).
  - Service menu point 31: Modbus address is set to 1.
  - Note that the Modbus communication will disappear while the OPT260 PCB is being programmed via GenLog. The Modbus connection will re-establish once the programming cable has been removed.
4. Download the Genvex Connect app from App Store or Google Play.
5. Start the Genvex Connect app and select the connection.
6. Select the function “add ID” if you are setting up a connection to an Internet Gateway without being on the same network as the Internet Gateway (the 12-digit ID number is found on a label on the Gateway box itself). If the app device is found on the same network as the Internet Gateway, the ID number will be automatically identified and shown in the display.
7. Set up the user by providing an email address (the password will be auto-generated and sent to the email address). The first user who sets themselves up on the Internet Gateway will be the “owner”. Other users who require access to the same Genvex Connect system will need to log in via the app with the “owner’s” email address and password.
8. There is now access to the Genvex Connect system, which includes the opportunity to change the fan speed, raise/lower the comfort temperature and monitor the operating mode on the ventilation unit.

# ELECTRICAL DIAGRAM - OPT251



# ELECTRICAL DIAGRAM - OPT260



# THE AIR WE BREATHE

All  
Genvex  
systems are  
rated with  
energy label  
**A**

As of 1 January 2025, Genvex has merged with our parent company METRO THERM into one company under the name METRO THERM A/S.

With the merger, both physical addresses will be retained: The head office and production for METRO THERM will remain in Helsingør, while administration and production for Genvex and KVM-Conheat will remain at the Haderslev address as a subdivision.

The three strong brands – METRO THERM, Genvex and KVM-Conheat – remain unchanged and will continue to be treated as independent brands under METRO THERM A/S.



## Genvex – the original Danish ventilation system

Genvex is a true Danish original. We started producing ventilation systems in 1978 and are still the front runners when it comes to development and production of the most innovative and durable ventilation systems on the market.

Our units are installed in thousands of homes, providing clean, fresh air free from pollen, dust and harmful particles. They help lots of families with maintaining a healthy and comfortable indoor climate and prolong the longevity of the house itself. With very high heat recovery rates, a Genvex system lets you recover and reuse up to 95 % of the heat inside your home. As a result, our units provide a strong contribution to energy savings in both in family homes and in society as a whole.

Please visit [www.genvex.com](http://www.genvex.com) to see a list of our distributors



08:401-2604